

Victor6000' life

- 1996 first trials
- 1998 first operational cruise.
- 2010 first Overhaul after 10 years,
300 dives
4000h at sea

Main Aims of this Overhaul

- Obsolete equipments' Replacing
- Operational optimisation (costs, maintenance)
- One new 10 years' cycle of operational use

Main Goals

- New Hardware and Software Architecture**
- New Imaging Equipment (HD cameras, HID lights, Control room)**
- New Ergonomic Control Shelter .**
- Best payload capabilities**
- New Arms' robotic functions**
- New USBL much better performances**
- New Cable, new Tether**

Key Points

- Ifremer Underwater Systems Unit coordinator manager**
- 100 subcontractors**
- 350 orders&contracts**
- More than 6000 pieces to control**
- More than 80000 hours**

And Now at the end of 2011:

- 9 new cruises with dives at more than 5000m.**
- Sucess for Scientific objectives**
- Optimisation of costs**
- Interoperability on the European R/V Fleet**

1st Overhaul 2010 Victor 6000

Ifremer



caméra	FCB H10
manufacturer	Sony
sensor	1 CMOS
size	1/3"
Pixels/capteur	2M
Format	1080/ 50i 720/50p
Lens	10X 5.1 -> 51 moto
Aperture H	70° in water
Sensibility	F1.8 12 lux
Weight	7kg air
Output HD	HD YPrPb et HDSDI
Dome	Glass BK7
corrector	5 lens



P.Siméoni
/P.Leon

Ifremer

DCM/SM

© Ifremer

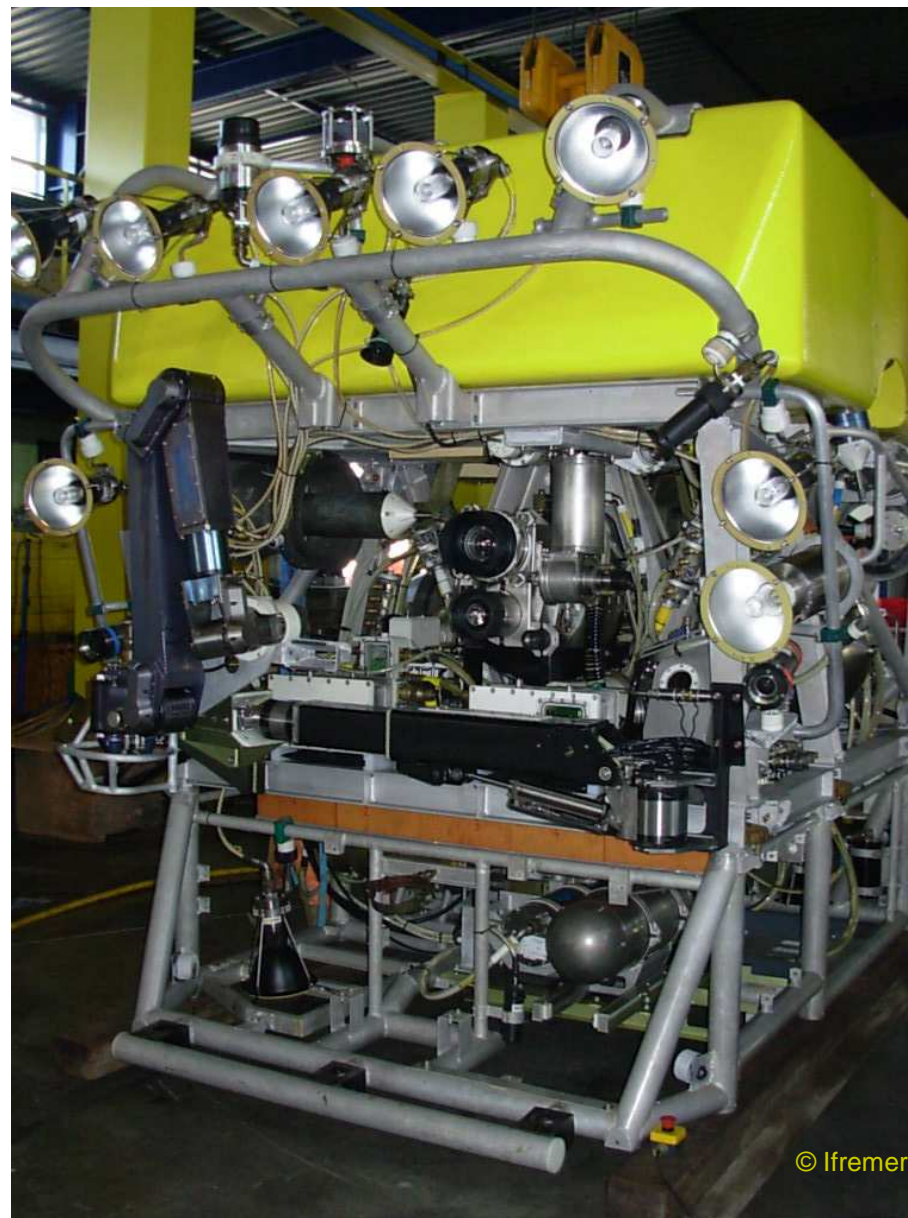


© Ifremer

1st Overhaul 2010 Victor 6000

Type	Efficiency	Temperature
HMI	90lumen/w	5600°K
HID	90lumen/w	3200°K
Quartz iode	20lumen/w	3200°K

Before 2010	After 2010
HMI	HMI
3 * 400W	5*400w
Q/I	Q/I
3* 600w et 2*300w	3*300w
HID	HID
0	3*250w



New Control vidéo

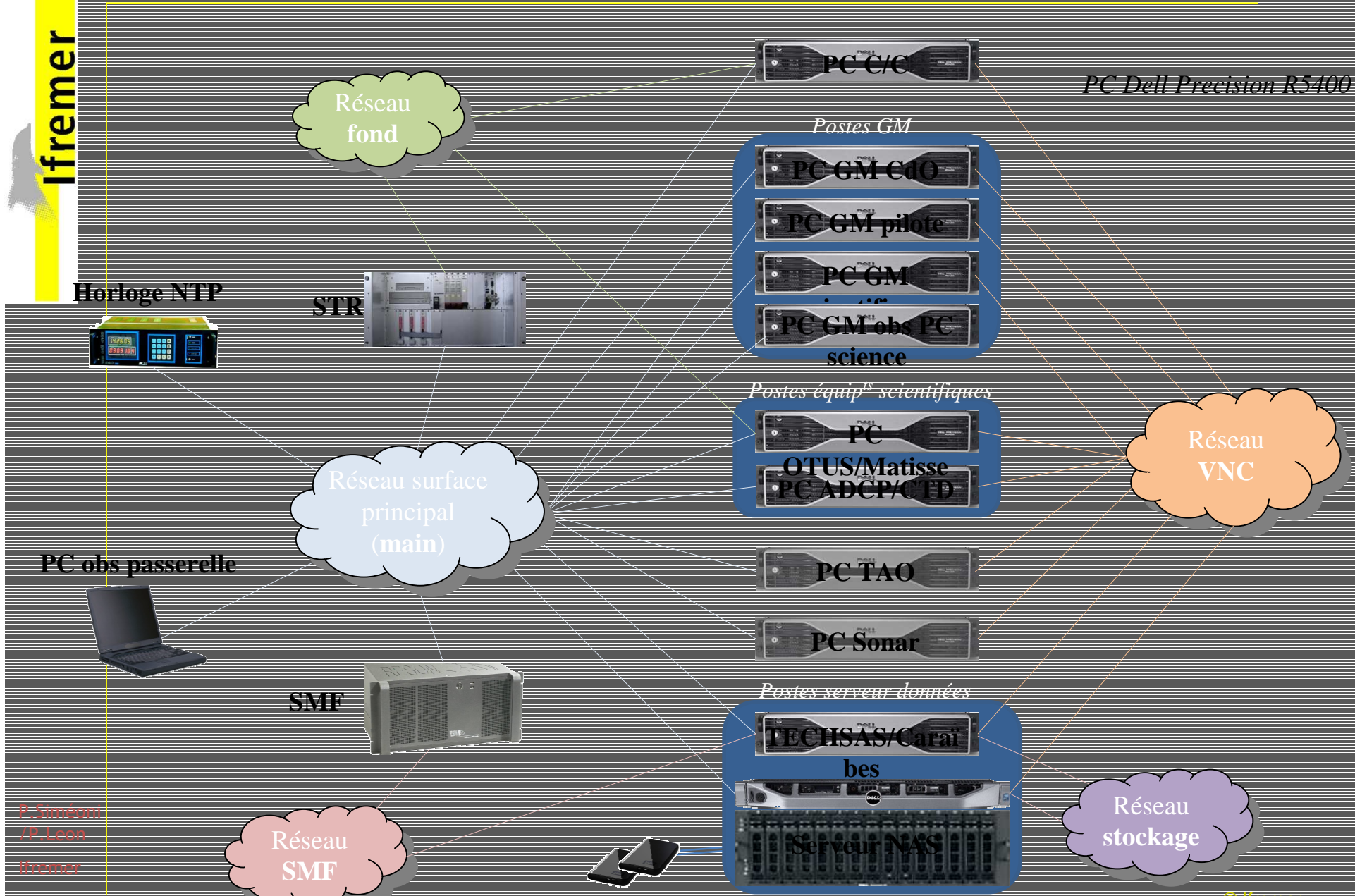
- New Distribution and Matrix Switching
- Storage of Compressed Video
- Data overlaid
- Image Digitalisation

Storage of compressed Video

	Format	Datarate	1 dive 20h	1 dive 70h	20 dives 20h
Camera HD	HDV	25 Mbits/s	220 Go	770 Go	4.3 To
Caméra SD	DVD (MPEG-2)	8 Mbits/s	70 Go	245 Go	1.4 To
1 Caméra HD + 1 Caméra SD	HDV + DVD	33 Mb/S	290 Go	1.1 To	5.7 To

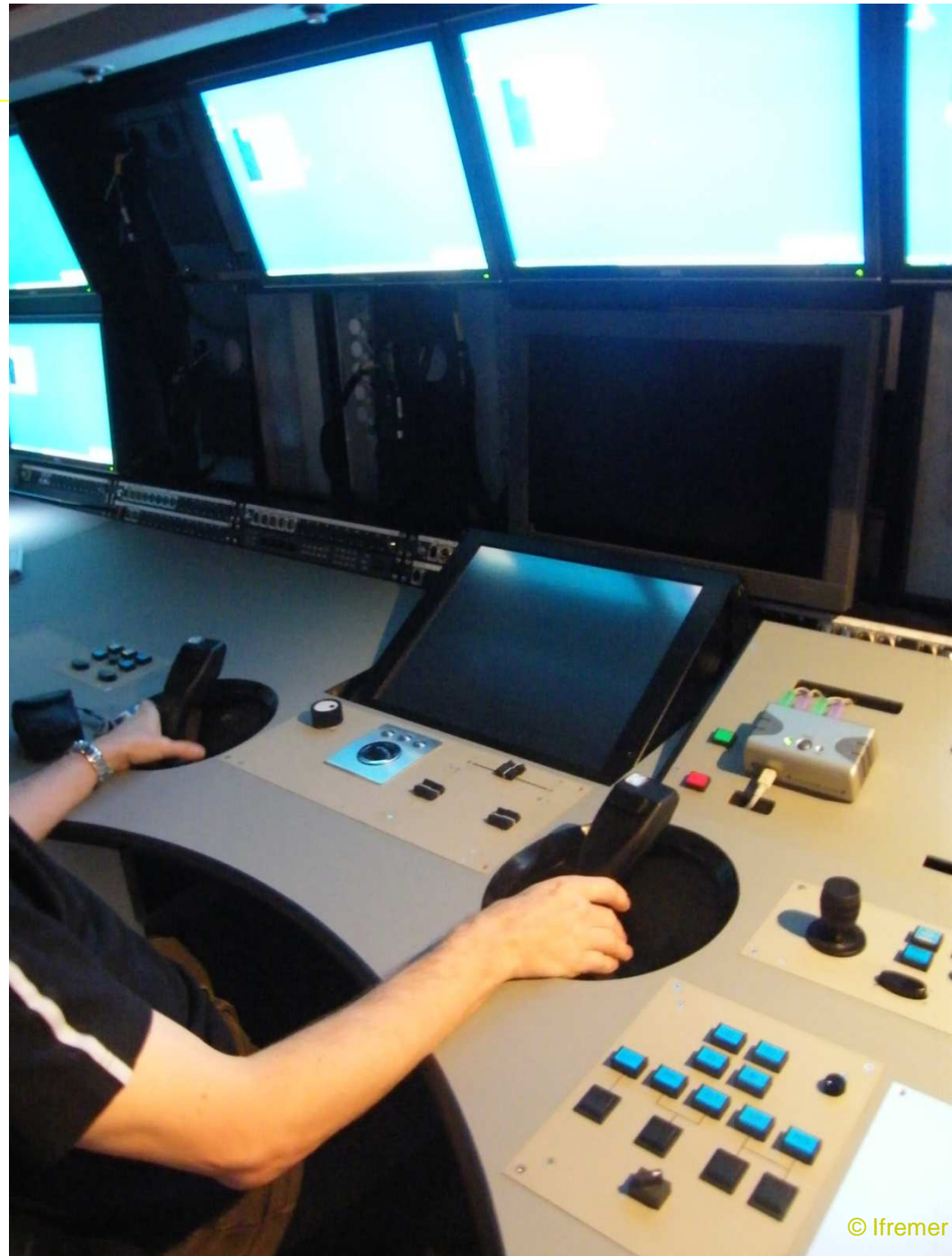
Hardware and Network Architecture

Ifremer



P. Samadani
P. Lecom
H. Mar
E. M. S.M.

New Ergonomical PC



1st Overhaul 2010 Victor 6000

Ifremer



P.Siméon
/P.Leon
Ifremer
DCM/SM

© Ifremer

1st Overhaul 2010 Victor 6000

Ifremer



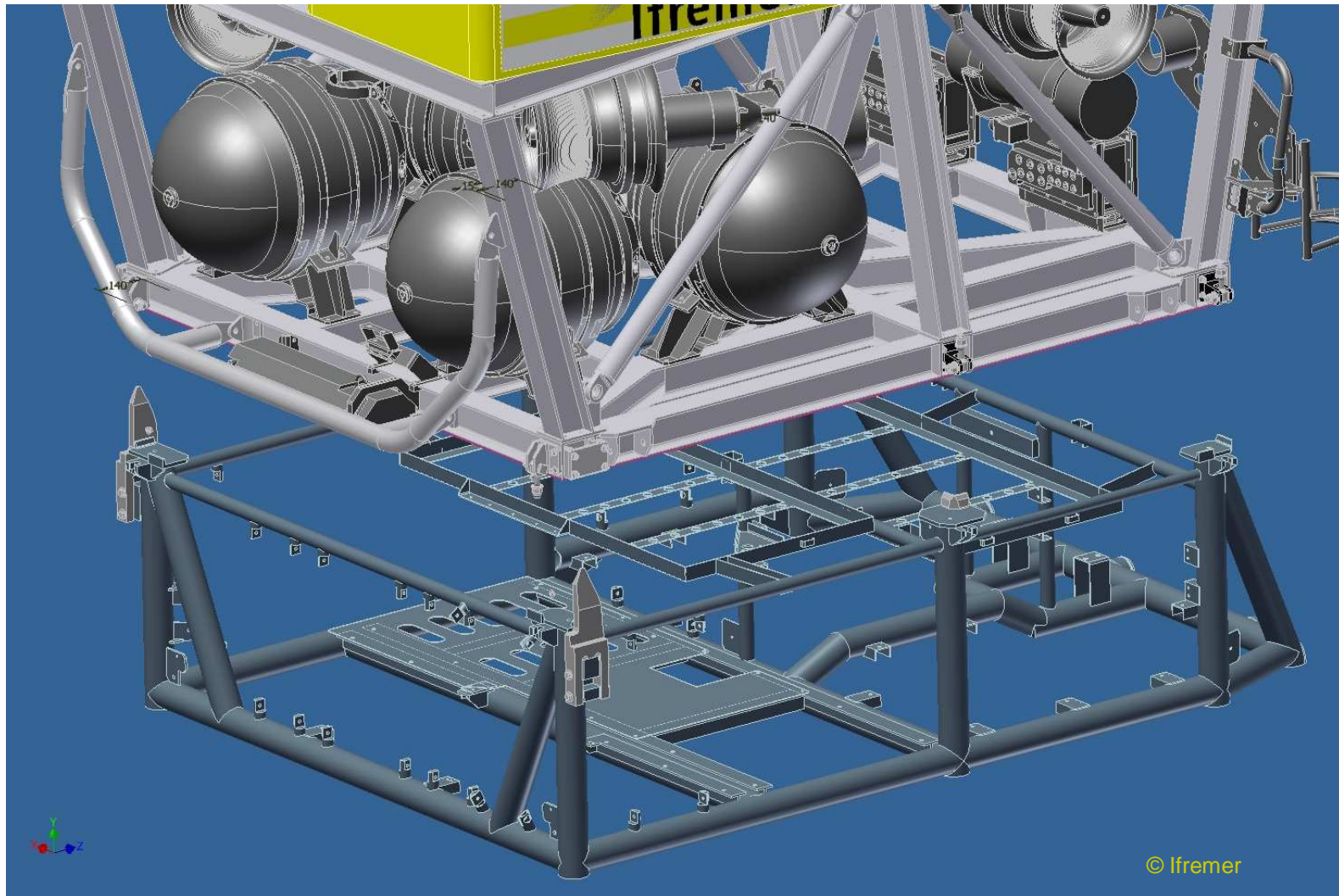
P.Siméon
/P.Leon
Ifremer
DCM/SM

© Ifremer

1st Overhaul 2010 Victor 6000



New Optimized Module Replacing



P.Siméoni
/P.Leon

Ifremer

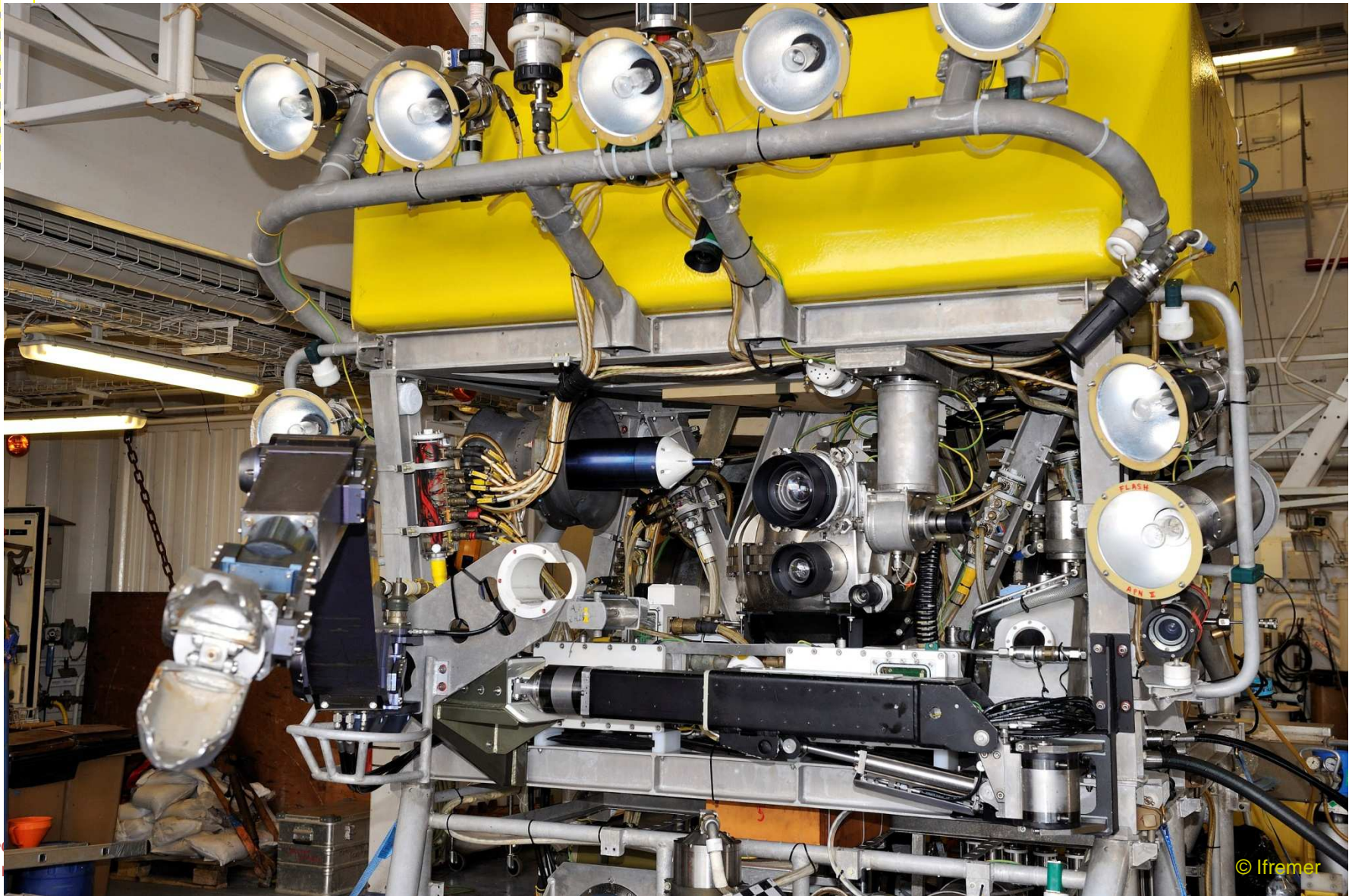
DCM/SM



© Ifremer

1st Overhaul 2010 Victor 6000

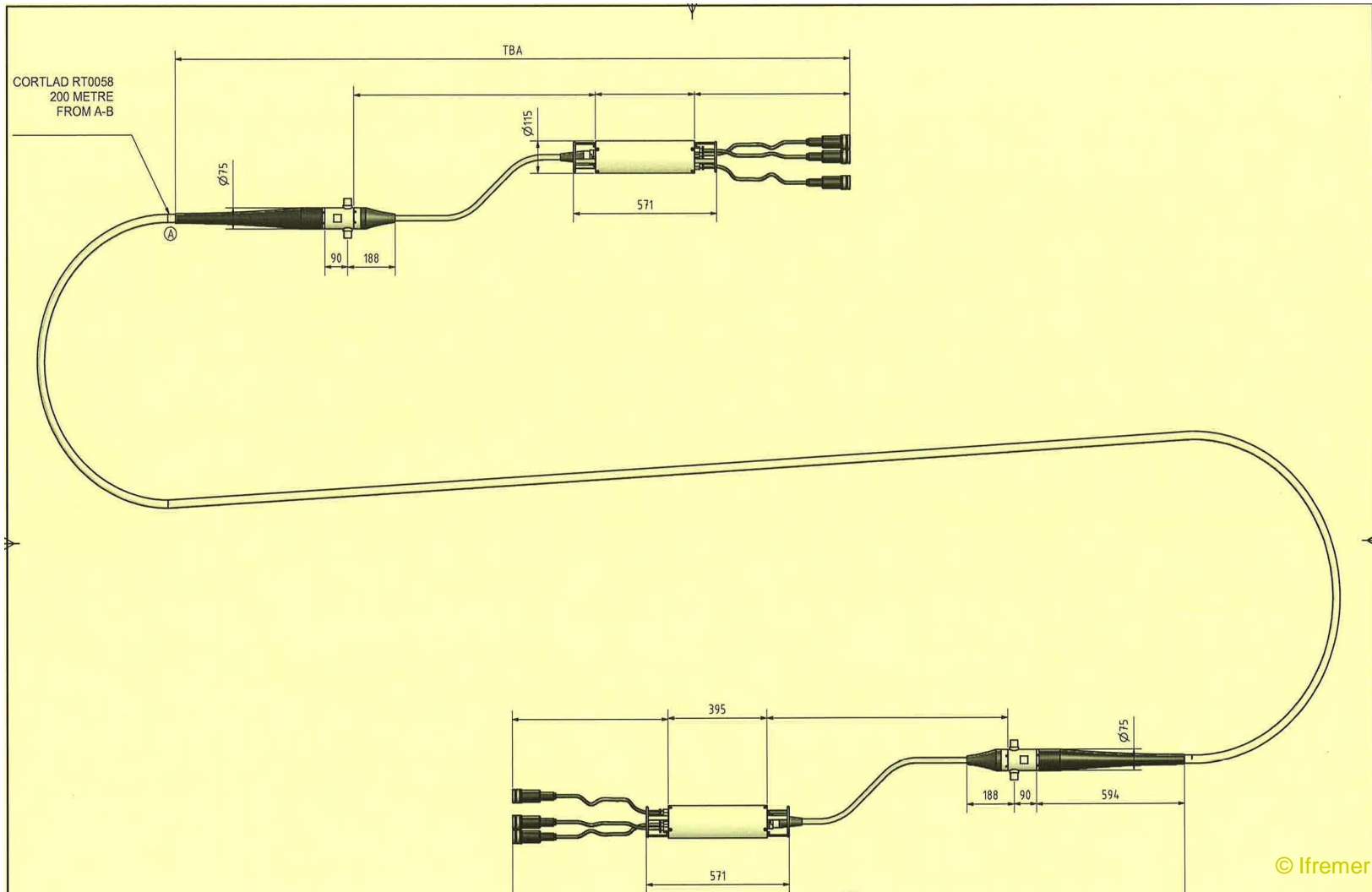
Ifremer



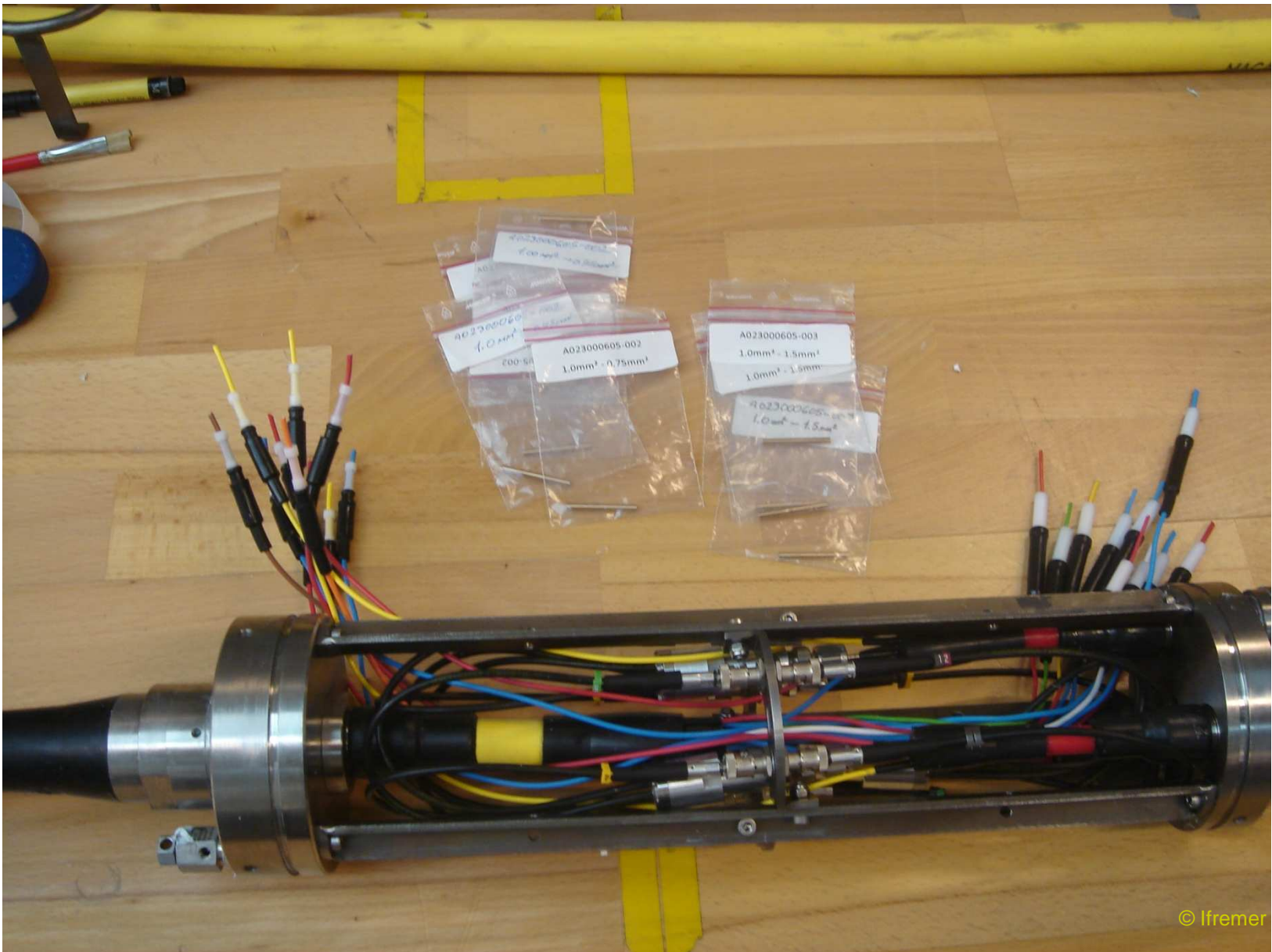
P.Simé
/P.Leo
Ifremer
DCM/SM

© Ifremer

New Tether and Cable Termination



1st Overhaul 2010 Victor 6000



1st Overhaul 2010 Victor 6000

Ifremer



1st Overhaul 2010 Victor 6000

